



MSME TECHNOLOGY CENTRE BHOPAL

GOVERNMENT OF INDIA SOCIETY
MINISTRY OF MICRO, SMALL AND MEDIUM ENTERPRISES



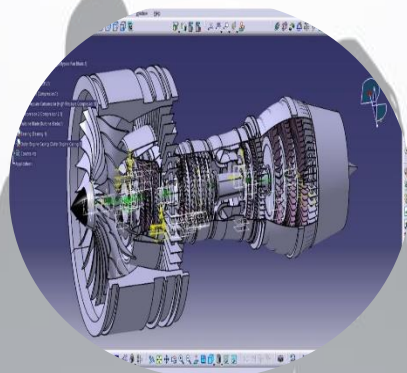
Free Training with Stipend of Rs 2500/-

Candidate must be :-

- 1.** Employed or self-employed
- 2.** Passed out students working freelance in relevant field
- 3.** Passed out students want to upgrade their skills by learning advance softwares can also come to attend the interview on **27/02/2021**



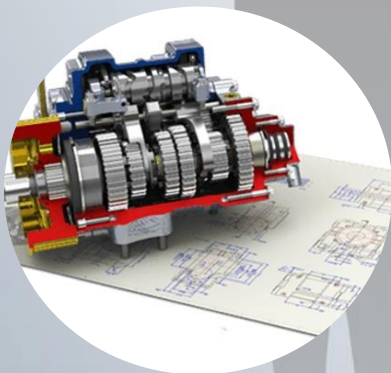
CNC PROGRAMMING



CATIA

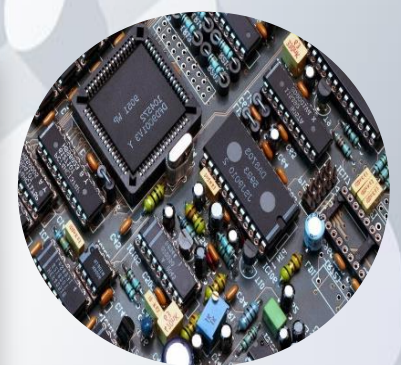


PLC PROGRAMMING



SOLIDWORKS

FREE TRAINING PROGRAMS for OBC, EBC (General, SC, ST) & DNT's In co-operation with National Backward Classes Finance & Development Corporation (NBCFDC)



EMBEDDED SYSTEM

Registration Link: <https://forms.gle/GacVzxMo6dSLAZRv9>

Contact for further details: MSME Technology Centre, Bhopal, Plot No. 259/2, 261, 267/2/1, Industrial Estate, Special Education Zone, Acharpura, Bhopal-462038 (MP) India
City Centre: 35 MPLUN Building Sultaniya Road, Imami Gate Bhopal-462001 (M.P) India

Contact: 9373161257, 9373161258

Email: msmetcbhopal@gmail.com **Website:** www.msmetcbhopal.org



MSME TECHNOLOGY CENTRE BHOPAL

GOVERNMENT OF INDIA SOCIETY
MINISTRY OF MICRO, SMALL AND MEDIUM ENTERPRISES



**FREE TRAINING PROGRAMS for
OBC, EBC(General, SC,ST) & DNT's**
In co-operation with National Backward Classes Finance &
Development Corporation(NBCFDC)

Free Training with Stipend of Rs 2500/-

Reskilling/Upskilling Courses

Courses		Duration	Minimum Qualification	No. of seats	Eligibility
1	Solidworks (CAD)	1 Month	Degree/Diploma	20	<p><u>Candidate must be employed/Self employed/Passed out students in relevant field.</u></p> <p>OBC: Annual Family Income below Rs 3.00 lakh</p> <p>EBC (Economical Backward Class): Annual Family Income below Rs 1.00 lakh</p> <p>DNT's(De Notified/ Semi Nomadic & Nomadic Tribes)</p>
2	CATIA (CAD)	1 Month	Degree/Diploma	20	
3	CNC Programming	1 Month	Degree/Diploma	20	
4	PLC Programming	1 Month	Degree/Diploma	20	
5	Embedded systems	1 Month	Degree/Diploma	20	

How to apply: Registration form available on website www.msmetcbhopal.org
"Registration Form for NBCFDC sponsored free Skill Development Training Programs"

Registration Link: <https://forms.gle/GacVzxMo6dSLAZRv9>

Contact for further details: MSME Technology Centre, Bhopal, Plot No. 259/2, 261, 267/2/1, Industrial Estate, Special Education Zone, Acharpura, Bhopal-462038 (MP)India

City Centre-35 MPLUN Building Sultaniya Road, Imami Gate Bhopal-462001(M.P)India

Contact: landline No: 0755- 2731043, 2731044 Mobile No.9373161257, 9373161258

Email: msmetcbhopal@gmail.com **Website:** www.msmetcbhopal.org